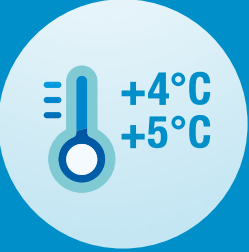


Laboratory / Medicine / Pharmaceutical Refrigerators (with glass door)

Biomedical Refrigeration | PR / MP



The model range PR complies with the Dometic **GOLD** Safety Standard

MODEL	PR 250 G	PR 410 G	PR 490 G	PR 750 G
DIN 58345 (Refrigerators for drugs)	●	●	●	●
Glass door with triple insulating glazing	●	●	●	●
GMP Clean Room Class A / ISO 5 (ISO EN 14644-1)	●	●	●	●
Dometic Electronic	●	●	●	●
Key-operated power switch (power ON/OFF)	●	●	●	●
Safety door lock	●	●	●	●
Digital temperature indicator (display: 0.1 digits)	●	●	●	●
Controlled fan cooling system for constant temperature and even temperature distribution across the entire refrigerating chamber. Automatic fan switch-off when front door opens	●	●	●	●
Self-contained alarm system with integrated battery takes over the alarm function and temperature value measurements in case of power failure for at least 48 hours	●	●	●	●
Acoustic/visual alarm signal in case of temperature alarm and power failure	●	●	●	●
All relevant data of temperature alarm and power failure alarm are stored in the alarm history. Such as date and time of start and end, min. max and average temperature	●	●	●	●
Alarm function test: simulation of a temperature rise or drop in order to test the alarm functionality	●	●	●	●
Control via self-diagnostic system	●	●	●	●
Safety thermostat prevents dropping of the cold storage products' temperature below +2°C	●	●	●	●
Interior lighting	●	●	●	●
Door opening alarm	●	●	●	●
Remote transmission alarm signal (via potential-free contact) in case of temperature alarm (change-over contact)	●	●	●	●
Remote transmission alarm signal (via potential-free contact) in case of power failure (change-over contact)	●	●	●	●
Automatic closing of the front door below a door opening angle of 90°	●	●	●	●
Interior made from stainless steel	●	●	●	●
Climate class (ambient temperature range) T (+16°C to +43°C)	●	●	●	●
Smooth castors with stabilizers for optimum flexibility of movement	●	●	●	●
RS485 interface for the display of all operating and control functions (hardware and software settings) via DMN monitoring software on a peripheral device (computer)	●	●	●	●
DMN software package	●	●	●	●
DCU - Dometic Communication Unit	○	○	○	○

● standard / ○ optional

Discover the world of Dometic Medical Systems



CFC & HCFC free

DIN 58345



PR 250 G

Gross volume : 246 L
Net volume : 167 L



PR 410 G

Gross volume : 408 L
Net volume : 319 L



PR 490 G

Gross volume : 489 L
Net volume : 395 L



PR 750 G

Gross volume : 746 L
Net volume : 620 L



Technical Data

Gross volume	246 l
Net volume	167 l
External dimensions (H x W x D)	1305 x 850 x 785 mm
Inner dimensions (H x W x D)	655 x 680 x 552 mm
Net weight (with standard equipment)	142 kg
Set temperature (preset)	+4 °C
Set temperature (setting range) can be adjusted in steps of 0.5 °C	+4°C to +15°C
Temperature cold alarm limit (preset)	+2°C
Temperature warm alarm limit (preset)	+6°C
Control sensor	PT1000 2-WIRE 1/3DIN CL.B
Precision (from -80°C to +180 °C)	± 0,2°C
Display sensor, optional	PT1000 2-WIRE 1/3DIN CL.B
Precision (from -80°C to +180 °C)	± 0,2°C
Voltage	220-240 V - 50/60Hz (10A)
Power	200 W
Energy consumption	1.40 kWh /24h
Heat emission	172 Kcal/h
Compressor running time	18%
Noise level (at 1m height & 1m distance)	57 dB(A)
Accu data / function time of the control panel when power failure	12V -7 AH / 48 hours
Climate class (ambient temperature range)	T (+16°C to +43°C)
Relative humidity at ambient temperature	≤ 70% at 32°C
Defrosting technique	automatic (natural)
Refrigerant type	R134a
Door insulation (polyurethane), with triple insulating glazing	100 mm
Casing insulation (polyurethane)	85 - 95 mm
Hold over time	90 min (from +4°C to +10°C)
Safety class	I
EMV directive	2004 / 108 / EEC
Low voltage directive	2006 / 95 / EEC
GMP - clean room classification	A / ISO 5
Material inner body	Stainless steel (V2A - 1.4301)
Material outer casing & door	Galvanized sheet steel (ST02Z-AZ150)
Material Drawers	Stainless steel (V2A - 1.4301)
Material Wire Shelves	Wire DIN 172-2, PA11 coated
Material N-Rack	Polycarbonate, transparent
Color outer casing	White (similar RAL 9010)
Color contrasts	Blue (similar RAL 5002)

Interior Equipment & Options (Concerning further information on accessories please see our leaflet "Racking & Storage Systems")

Standard interior equipment	ST-Drawers	1 with Front Cover ●
	Wire Shelves	1 Wire Shelf ●
Wire Shelves, recommended / max.		2 / 4 ○
ST-Drawers with Front Cover, max.		2 ○
ST-Drawers without Front Cover, recommended / max.		2 / 4 ○
N-Racks		max. 5 per Drawer ○
N-Racks with Front Cover		max. 5 per Wire Shelf ○
ST-Wire Shelves, stainless steel (V2A - 1.4301)		○
RS 485 interface		●
DMN Software package		●
DCU - Dometic Communication Unit		○
Ambient temperature sensor		○
Potential-free contact in case of power failure		●
Integrated inlet for external sensor (installed by customer)		●
Additional reference bottle with reference fluid and fitting		○
Smooth castors with stabilizers for optimum flexibility of movement		●
Interior lighting		●
Integrated temperature recorder in form of a circular chart recorder / recording range : -10°C to +20°C		for 24h or 7 days ○
External water cooling		○
Door hinge right		●
Door hinge left		○
Wooden packaging for ocean transport / export		○

PR 410 G



408 l
319 l
1735 x 850 x 785 mm
1085 x 680 x 552 mm
179 kg
+4 °C
+4°C to +15°C
+2°C
+6°C
PT1000 2-WIRE 1/3DIN CL.B
± 0,2°C
PT1000 2-WIRE 1/3DIN CL.B
± 0,2°C
220-240 V - 50/60Hz (10A)
240 W
1.40 kWh /24h
207 Kcal/h
21%
59 dB(A)
12V -7 AH / 48 hours
T (+16°C to +43°C)
≤ 70% at 32°C
automatic (natural)
R134a
100 mm
85 - 95 mm
90 min (from +4°C to +10°C)
I
2004 / 108 / EEC
2006 / 95 / EEC
A / ISO 5
Stainless steel (V2A - 1.4301)
Galvanized sheet steel (ST02Z-AZ150)
Stainless steel (V2A - 1.4301)
Wire DIN 172-2, PA11 coated
Polycarbonate, transparent
White (similar RAL 9010)
Blue (similar RAL 5002)

PR 490 G



489 l
395 l
1950 x 850 x 785 mm
1300 x 680 x 552 mm
202 kg
+4 °C
+4°C to +15°C
+2°C
+6°C
PT1000 2-WIRE 1/3DIN CL.B
± 0,2°C
PT1000 2-WIRE 1/3DIN CL.B
± 0,2°C
220-240 V - 50/60Hz (10A)
240 W
1.60 kWh /24h
207 Kcal/h
23%
59 dB(A)
12V -7 AH / 48 hours
T (+16°C to +43°C)
≤ 70% at 32°C
automatic (natural)
R134a
100 mm
85 - 95 mm
90 min (from +4°C to +10°C)
I
2004 / 108 / EEC
2006 / 95 / EEC
A / ISO 5
Stainless steel (V2A - 1.4301)
Galvanized sheet steel (ST02Z-AZ150)
Stainless steel (V2A - 1.4301)
Wire DIN 172-2, PA11 coated
Polycarbonate, transparent
White (similar RAL 9010)
Blue (similar RAL 5002)

PR 750 G



746 l
620 l
1990 x 910 x 985 mm
1352 x 730 x 760 mm
212 kg
+4 °C
+4°C to +15°C
+2°C
+6°C
PT1000 2-WIRE 1/3DIN CL.B
± 0,2°C
PT1000 2-WIRE 1/3DIN CL.B
± 0,2°C
220-240 V - 50/60Hz (10A)
300 W
2.00 kWh /24h
275 Kcal/h
23.5%
59 dB(A)
12V -7 AH / 48 hours
T (+16°C to +43°C)
≤ 70% at 32°C
automatic (natural)
R134a
85 mm
90 mm
90 min (from +4°C to +10°C)
I
2004 / 108 / EEC
2006 / 95 / EEC
A / ISO 5
Stainless steel (V2A - 1.4301)
Galvanized sheet steel (ST02Z-AZ150)
Stainless steel (V2A - 1.4301)
Wire DIN 172-2, PA11 coated
Polycarbonate, transparent
White (similar RAL 9010)
Blue (similar RAL 5002)

- 2 with Front Cover ●
- 2 Wire Shelves ●
- 4 / 8 ○
- 4 ○
- 4 / 8 ○
- max. 5 per Drawer ○
- max. 5 per Wire Shelf ○
-
-
-
-
-
-
-
-
-
-
-
- for 24h or 7 days ○
-
-
-
-

- 3 with Front Cover ●
- 2 Wire Shelves ●
- 5 / 10 ○
- 5 ○
- 5 / 10 ○
- max. 5 per Drawer ○
- max. 5 per Wire Shelf ○
-
-
-
-
-
-
-
-
-
-
-
- for 24h or 7 days ○
-
-
-
-

- 3 with Front Cover ●
- 2 Wire Shelves ●
- 5 / 10 ○
- 5 ○
- 5 / 10 ○
- max. 5 per Drawer ○
- max. 5 per Wire Shelf ○
-
-
-
-
-
-
-
-
-
-
-
- for 24h or 7 days ○
-
-
-
-



MP 155 SG

Gross volume : 155 L
Net volume : 141 L



MP 320 S

Gross volume : 322 L
Net volume : 274 L



MP 360 CS

Gross volume : 357 L
Net volume : 324 L



MP 580 S

Gross volume : 578 L
Net volume : 518 L



MP 355 S

Gross volume : 353 L
Net volume : 340 L

The illustrations show the models of the MP range with standard interior equipment.

Control of the storage temperature and documentation of the temperature changes can – depending on the application – be carried out via an optional temperature recorder (in form of a circular chart recorder) or via the optional DCU, this through the Monitoring & Visualization Software DMN.



MP 1300 S

Gross volume : 1301 L
Net volume : 1183 L



MP 155 SG

MP 320 S

MP 355 S



Technical Data

Gross volume	155 l	322 l	353 l
Net volume	141 l	274 l	340 l
External dimensions (H x W x D)	900 x 595 x 605 mm	1830 x 595 x 605 mm	1690 x 700 x 616 mm
External dimensions (with mounted temperature recorder)	1075 x 595 x 605 mm	1990 x 595 x 605 mm	1850 x 700 x 616 mm
Inner dimensions (H x W x D)	745 x 485 x 455 mm	1496 x 500 x 455 mm	1460 x 605 x 473 mm
Net weight (with standard equipment)	52 kg	67 kg	97 kg
Set temperature (preset)	+5°C	+5°C	+5°C
Set temperature (setting range) can be adjusted in steps of 0.5 °C	+5°C to +15°C	+5°C to +15°C	+5°C to +15°C
Temperature cold alarm limit (preset)	+2°C	+2°C	+2°C
Temperature warm alarm limit (preset)	+8°C	+8°C	+8°C
Control sensor	PT1000 2-WIRE 1/3DIN CL.B	PT1000 2-WIRE 1/3DIN CL.B	PT1000 2-WIRE 1/3DIN CL.B
Precision (from -80°C to +180 °C)	± 0,2°C	± 0,2°C	± 0,2°C
Display sensor, optional	PT1000 2-WIRE 1/3DIN CL.B	PT1000 2-WIRE 1/3DIN CL.B	PT1000 2-WIRE 1/3DIN CL.B
Precision (from -80°C to +180 °C)	± 0,2°C	± 0,2°C	± 0,2°C
Voltage	220-240 V - 50Hz (10A)	220-240 V - 50/60Hz (10A)	220-240 V - 50Hz (10A)
Power	70 W	140 W	240 W
Energy consumption	0.76 kWh /24h	1.60 kWh /24h	1.90 kWh /24h
Heat emission	12 Kcal/h	120 Kcal/h	155 Kcal/h
Compressor running time	36%	50%	45%
Noise level (at 1m height & 1m distance)	40 dB(A)	37 dB(A)	44 dB(A)
Accu data / function time of the control panel when power failure	6V - 4,2Ah / 48 hours	6V - 4,2Ah / 48 hours	6V - 4,2Ah / 48 hours
Climate class (ambient temperature range)	SN (+10°C to +32°C)	N (+16°C to +32°C / +16°C to +25°C with door heating)	N (+16°C to +32°C / +16°C to +25°C with door heating)
Relative humidity	70%	70%	70%
Defrosting technique	natural	automatic (natural)	automatic (natural)
Refrigerant type	R600a	R134a	R134a
Door insulation	triple insulating glazing	double insulating glazing	double insulating glazing
Casing insulation (polyurethane)	30 - 55 mm	50 - 55 mm	40 - 50 mm
Hold over time	55 min (from +5°C to +10°C)	20 min (from +5°C to +10°C)	15 min (from +5°C to +10°C)
Safety class	I	I	I
EMC directive	2004 / 108 / EEC	2004 / 108 / EEC	2004 / 108 / EEC
Low voltage directive	2006 / 95 / EEC	2006 / 95 / EEC	2006 / 95 / EEC
GMP - clean room classification	B / ISO 6	B / ISO 6	B / ISO 6

Interior Equipment & Options (Concerning further information on accessories please see our leaflet "Racking & Storage Systems")

	3 Wire Shelves	6 Wire Shelves	5 Wire Shelves
Standard interior equipment			
Wire Shelves, recommended / max.	3 / 4 ○	6 / 9 ○	5 / 8 ○
Drawers, recommended / max.	3 / 3 ○	6 / 9 ○	5 / 8 ○
PC-Kit (polycarbonate) & AL-Kit (aluminium)	○	○	○
Interior lighting	○	○	○
Glass door heating (anti-steam)	-	○	○
RS 485 interface	●	●	●
DMN Software package	●	●	●
DCU - Dometic Communication Unit	○	○	○
Ambient temperature sensor	○	○	○
Potential-free contact in case of power failure	●	●	●
Integrated inlet for external sensor (installed by customer)	●	●	●
Additional reference bottle with reference fluid and fitting	○	○	○
Smooth castors with stabilizers	-	-	-
Temperature recorder in form of a circular chart recorder / recording range : -10°C to +20 °C	Mounted, for 24h or 7 days ○	Mounted, for 24h or 7 days ○	Mounted, for 24h or 7 days ○
Door hinge right	●	●	●
Door hinge left	○	○	○
Wooden packaging for ocean transport / export	○	○	○

MP 360 CS
Refrigerator



MP 360 CS
Deep Freezer



MP 580 S



MP 1300 S



239 l	118 l	578 l	1301 l
218 l	106 l	518 l	1183 l
2030 x 595 x 605 mm	2030 x 595 x 605 mm	1980 x 750 x 800 mm	1980 x 1500 x 800 mm
2190 x 595 x 605 mm	2190 x 595 x 605 mm	-	-
934 x 525 x 482 mm	735 x 475 x 462 mm	1435 x 600 x 645 mm	1435 x 1350 x 645 mm
118 kg	118 kg	171 kg	272 kg
+5°C	-35°C	+5°C	+5°C
+5°C to +15°C	-20°C to -35°C	+5°C to +15°C	+5°C to +15°C
+2°C	-40°C	+2°C	+2°C
+8°C	-30°C	+8°C	+8°C
PT1000 2-WIRE 1/3DIN CL.B	PT1000 2-WIRE 1/3DIN CL.B	PT1000 2-WIRE 1/3DIN CL.B	PT1000 2-WIRE 1/3DIN CL.B
± 0,2°C	± 0,2°C	± 0,2°C	± 0,2°C
PT1000 2-WIRE 1/3DIN CL.B	PT1000 2-WIRE 1/3DIN CL.B	PT1000 2-WIRE 1/3DIN CL.B	PT1000 2-WIRE 1/3DIN CL.B
± 0,2°C	± 0,2°C	± 0,2°C	± 0,2°C
220-240 V - 50Hz (10A)	220-240 V - 50Hz (10A)	220-240 V - 50Hz (10A)	220-240 V - 50Hz (10A)
130 W	220 W	400 W	600 W
1.38 kWh /24h	2.60 kWh /24h	3.50 kWh /24h	5.50 kWh /24h
95 Kcal/h	215 Kcal/h	300 Kcal/h	430 Kcal/h
35%	48%	40%	48%
40 dB(A)	43 dB(A)	47 dB(A)	50 dB(A)
6V - 4,2Ah / 48 hours	6V - 4,2Ah / 48 hours	6V - 4,2Ah / 48 hours	6V - 4,2Ah / 48 hours
N (+16°C to +32°C)	N (+16°C to +32°C)	N (+16°C to +32°C)	N (+16°C to +32°C)
70%	70%	70%	70%
automatic (natural)	manual	automatic (natural)	automatic (natural)
R134a	R404a	R134a	R134a
double insulating glazing	50 mm	triple insulating glazing	triple insulating glazing
30 - 68 mm	50 - 85 mm	75 mm	75 mm
30 min (from +5°C to +10°C)	60 min (from -35°C to -18°C)	30 min (from +5°C to +10°C)	30 min (from +5°C to +10°C)
I	I	I	I
2004 / 108 / EEC	2004 / 108 / EEC	2004 / 108 / EEC	2004 / 108 / EEC
2006 / 95 / EEC	2006 / 95 / EEC	2006 / 95 / EEC	2006 / 95 / EEC
B / ISO 6	B / ISO 6	B / ISO 6	B / ISO 6

4 Wire Shelves	4 Drawers	6 Wire Shelves	12 Wire Shelves
4 / 6 ○	-	6 / 12 ○	12 / 24 ○
4 / 6 ○	4 / 4 ●	6 / 9 ○	12 / 18 ○
○	○	○	○
○	○	○	○
○	○	○	○
●	●	●	●
●	●	●	●
○	○	○	○
○	○	○	○
●	●	●	●
●	●	●	●
○	○	○	○
-	-	○	○
Mounted, for 24h or 7 days ○	Mounted, for 24h or 7 days ○	Integrated, for 24h or 7 days ○	Integrated, for 24h or 7 days ○
●	●	●	●
○	○	○	●
○	○	○	○

The model range MP complies with the Dometic **SILVER** Safety Standard

MODEL	MP 155 SG	MP 320 S	MP 355 S	MP 360 CS	MP 580 S	MP 1300 S
DIN 58345 ¹ (Refrigerators for drugs)	●	●	●	●	●	●
GMP Clean Room Class B / ISO 6 (ISO EN 14644-1)	●	●	●	●	●	●
Glass door ² with insulating glazing	●	●	●	●	●	●
Dometic Electronic	●	●	●	●	●	●
Key-operated power switch (power ON/OFF)	●	●	●	●	●	●
Safety door lock	●	●	●	●	●	●
Digital temperature indicator (display : 0.1 digits)	●	●	●	●	●	●
Controlled fan cooling system ² for constant temperature and even temperature distribution across the entire refrigerating chamber. Automatic fan switch-off when front door opens	●	●	●	●	●	●
Self-contained alarm system with integrated battery takes over the alarm function and temperature value measurements in case of power failure for at least 48 hours	●	●	●	●	●	●
Acoustic/visual alarm signal in case of temperature alarm and power failure	●	●	●	●	●	●
The alarm history on the operation and control panel stores all the relevant values during a temperature alarm, such as : min., max. and average temperature and also the duration of the alarm	●	●	●	●	●	●
Alarm function test : simulation of a temperature rise or drop in order to test the alarm functionality	●	●	●	●	●	●
Control via self-diagnostic system	●	●	●	●	●	●
Safety thermostat ² prevents dropping of the cold storage products' temperature below +2°C	●	●	●	●	●	●
Door opening alarm	●	●	●	●	●	●
Remote transmission alarm signal (via potential-free contact) in case of temperature alarm (change-over contact)	●	●	●	●	●	●
Remote transmission alarm signal (via potential-free contact) in case of power failure (change-over contact)	●	●	●	●	●	●
RS 485 interface for the display of all operating and control functions (hardware and software settings) via DMN monitoring software on a peripheral device (computer)	●	●	●	●	●	●
DMN software package	●	●	●	●	●	●
DCU - Dometic Communication Unit	○	○	○	○	○	○

● standard / ○ optional / - not available

¹ According point 4.2.2. Thermal insulation (requirements & tests) : for the models MP (pharmaceutical refrigerators with glass door), condensate formation is possible at ambient temperature of +35°C and at the lowest setpoint of +5°C (because of the glass door).

² not for deep freezer of the refrigerator/deep freezer combination MP 360 CS

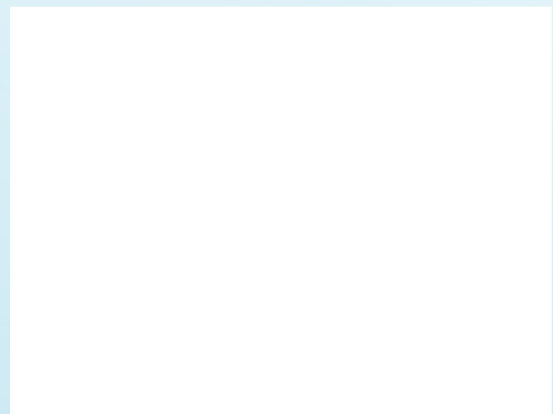
Equipment / Options



Temperature recorder (in form of a circular chart recorder) optional, within the mounted casing for MP model range (optional, integrated for PR model range)



Remote temperature and power failure alarm



N-Racks with/without Front Cover can be subdivided into compartments (optional, for PR model range)

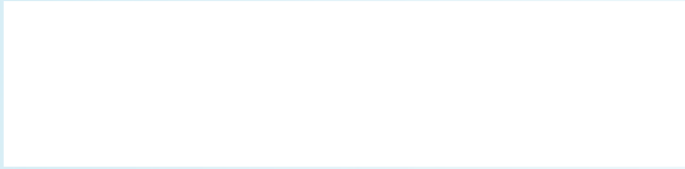


ST Cover - Wire Shelf (optional, for PR model range)

Dometic Electronic

The new and innovative Dometic Electronic (operation and control panel) assures thanks to its **password protected settings menu** optimum protection for your stored preparations.

The menu structure of the **modern and user-friendly graphic display** offers a simple and intuitive utilization.



Settings menu

Extra menu

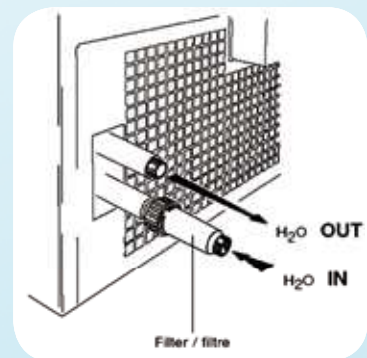
HISTORY
BUZZER
DISPLAY
VOLTAGE IND.
AMBIENT PROBE
ADD. PROBE
RESOLUTION
TEMP. UNIT
LANGUAGE
DIAGNOSTICS
PARAMETERS

Beside this the new Dometic Electronic offers :

- Wide range of adjustment and diagnostic facilities as well as additional protection / warning operations (via external alarm operations, histories and individual display signals).
- An optional PT 100 sensor inlet to show the sensor's temperature data on the display as well as forwarding and further processing via a 4 ... 20 miliA outlet.
- An optional 20 miliA outlet to transmit temperature data of a sensor connected to the electronic.
- Connection facilities for additional (optional) temperature sensors.
- DMN (Dometic Monitoring Network) and the (optional) DCU (Dometic Communication Unit) allows to illustrate texts on the product's display.



ST-Drawers with/without Front Cover, on telescopic runners with safety stop (optional, for PR model range)



Water cooling, external (ex factory) (optional, for PR model range)



PC-Kit (polycarbonate)



AL-Kit (aluminium)

DMN – Dometic Monitoring Network

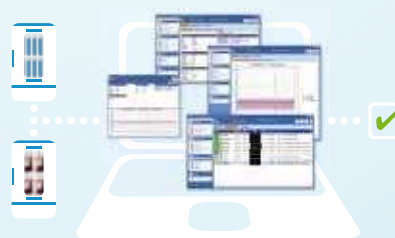
Universal software for collection, long-term recording and visualization of temperature data.

- Complete activity list (password protected).
- Integrated event and activity history of all appliance components.
- Graphical visualisation of all temperature curves.
- Connection to existing or third-party appliances via network technology (LAN, WLAN, WAN).
- Simultaneous data monitoring and recording.
- Possibility for specific and individually configurable alarm forwardings, e. g. via email, SMS (with optional GSM module) or via DECT.
- Simple and intuitive utilization.
- Essential price advantage compared to a traditional circular chart recorder and its spare parts.

- Economy of time as regular changes of recorder paper, ink and battery is not necessary.

Your essential advantages :

- ▶ One central database for all connected appliances.
- ▶ Remote inquiry of all data possible, even from different sites simultaneously.



DCU – Dometic Communication Unit

Hardware module that notes all operating conditions and passes them through to a central data base – via local network, on which devices are connected.

- Interface connection of Dometic appliances to existent network.
- The DCU offers direct connection to the Ethernet, even wireless, to the serial BUS RS 485, as well as to the central building control system (4 ... 20 mA).
- Possibility of connection of actors (4 ... 20 milliA out).
- Digital IN/OUT (customer-specific use of these connections is programmable).
- The integrated USB port allows to write stored data to an external memory stick.
- Recording and storage of relevant data of the appliance.
- The DCU replaces the paper temperature recorder.
- The DCU also works with Dometic electronics which were applied until October 08 (upgrade possible).

- All data are recorded and saved in the data base of the DMN and are available for analysing purposes at any time.
- Possibility of connection of several additional self-sufficient temperature sensors (up to 4 PT1000 & 2 PT100).

Your essential advantages :

- ▶ One integrative system for collecting all temperature relevant appliances and ambients.
- ▶ Many different connection facilities allow flexible upgrades for individual projects.



DMN & DCU in combination offer a highly flexible system that is adaptable to specific customer requirements.



Complete & legally safe documentation of temperature data
Comprehensive applications and diagnostic possibilities

Dometic S.à.r.l. – Division Medical Systems

17, Op der Hei Tel. : + 352 92 07 31-1 | medical.systems@dometic.lu
L-9809 Hosingen, Luxembourg Fax : + 352 92 07 31-300 | www.dometic.lu